

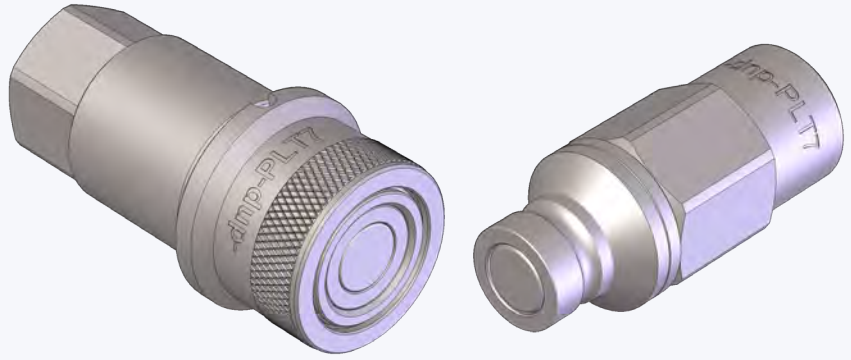
700 bar

VALVOLA PIANA/ACCIAIO  
FLAT FACE/STEEL  
FLACHDICHTEND/STAHL  
CLAPET PLAT/ACIER



### Caratteristiche tecniche I

- Intercambiabilità: Stucchi HP
- Occlusione: faccia piana
- Aggancio: sfere radiali
- Materiale: acciaio ad alta resistenza
- Finitura: Zn-Fe (Cr III) e Zn-Ni
- Filettature: BSP - NPT
- Guarnizioni standard: NBR e PU
- Temperatura d'esercizio: -25 °C +100 °C
- Guarnizioni opzionali: FKM, EPDM o altro
- Pressioni di esercizio: 700 bar
- Connessione in pressione: non consentita



### Technical data E

- Interchange: Stucchi HP
- Occlusion: flat face
- Locking: radial balls
- Material: high resistance steel
- Finishing: Zn-Fe (Cr III) and Zn-Ni
- Threads: BSP - NPT
- Standard seals: NBR and PU
- Working temperature: -25 °C +100 °C
- Optional seals: FKM, EPDM or more
- Working pressure: 700 bar
- Connection under pressure: not allowed

Nominal size				Max working pressure MPa	Rated flow l/min	Max flow rate l/min	Min burst pressure			Fluid spillage cc
DNP	BG	ISO	mm				Male MPa	Female MPa	Coupled MPa	
04	0	5	4.8	70	3	9	275	230	230	0.006
06	1	6.3	6	70	12	24	200	230	230	0.008

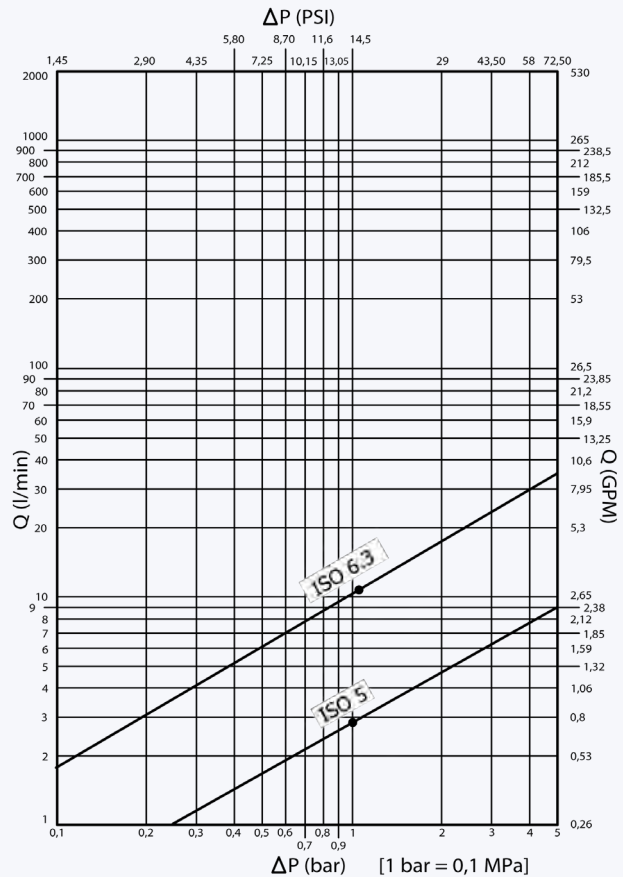
1 MPa = 145.04 psi • 1 l = 0.264 gal

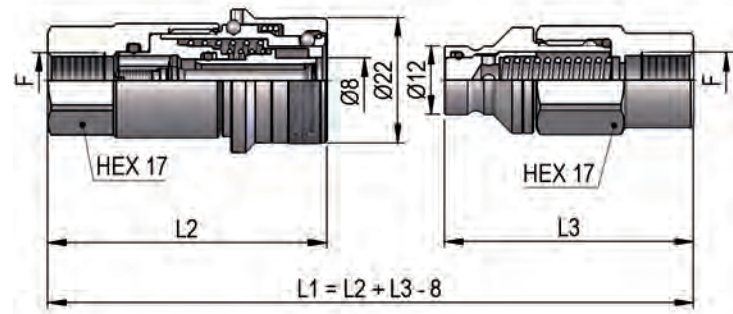
### Technische Merkmale D

- Austauschbarkeit: Stucchi HP
- Verschluss: flachdichtend
- Kupplung: Radial Kugeln
- Werkstoff: hochfester Stahl
- Ausführung: Zn-Fe (Cr III) und Zn-Ni
- Gewinde: BSP - NPT
- Standard-Dichtungen: NBR und PU
- Betriebstemperatur: -25 °C +100 °C
- Dichtungen nach Wahl: FKM, EPDM, usw.
- Betriebsdruck: 700 bar
- Kuppeln unter Druck: nicht möglich

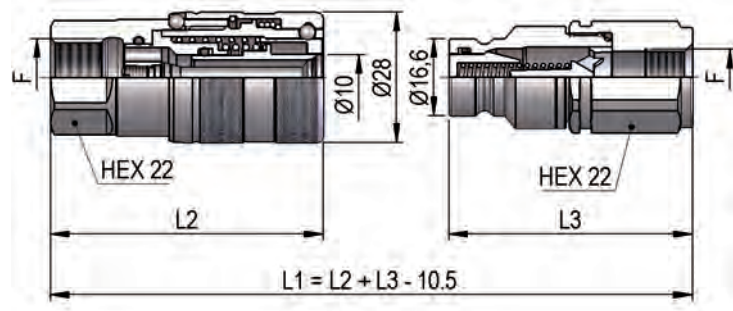
### Caracteristiques techniques F

- Intercambiabilité: Stucchi HP
- Obturation: clapet plat
- Accrochage: billes radiales
- Matériel: acier à haute résistance
- Traitement: Zn-Fe (Cr III) et Zn-Ni
- Taraudage: BSP - NPT
- Joints standard: NBR et PU
- Température de service: -25 °C +100 °C
- Joints facultatifs: FKM, EPDM, ect.
- Pression de service: 700 bar
- Connexion sous pression: pas possible

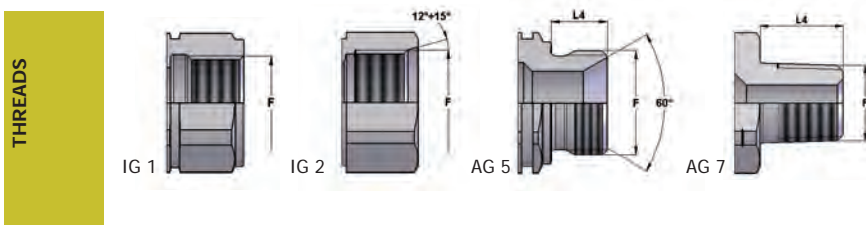


**PLT7 DN04 - BG 0 - ISO 5**


THREADS	L2	L3	F	STANDARD	FEMMINA - FEMALE - MUFFE - FEMELLE			MASCHIO - MALE - STECKER - MALE		
					COD. F	Weight (g)	Packaging (pcs.)	COD. M	Weight (g)	Packaging (pcs.)
<b>IG 1</b>	48.6	43.5	BSP 1/8"	DIN 3852-2-X	PLT7.0404.112	92	192	PLT7.0404.113	49	300
	48.6	43.5	NPT 1/8"	ANSI B1.20.3	PLT7.0404.012	93	192	PLT7.0404.013	50	300
<b>IG 2</b>	50.6	45.5	7/16"-20 UNF 2B	SAE J 1926-1	PLT7.0412.032	94	192	PLT7.0412.033	51	300

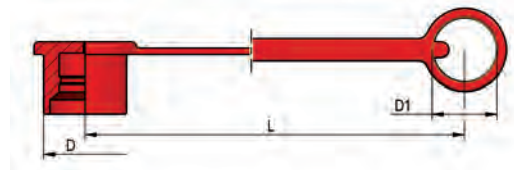
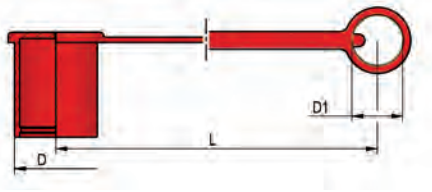
**PLT7 DN06 - BG1- ISO 6.3**


THREADS	L2	L3	L4	F	STANDARD	FEMMINA - FEMALE - MUFFE - FEMELLE			MASCHIO - MALE - STECKER - MALE		
						COD. F	Weight (g)	Packaging (pcs.)	COD. M	Weight (g)	Packaging (pcs.)
<b>IG 1</b>	58.5	53.3		BSP 1/4"	DIN 3852-2-X	PLT7.0606.112	182	100	PLT7.0606.113	97	200
	58.5	53.3		NPT 1/4"	ANSI B1.20.3	PLT7.0606.012	183	100	PLT7.0606.013	98	200
	58.5	53.3		NPT 3/8"	ANSI B1.20.3	PLT7.0610.012	174	100	PLT7.0610.013	89	200
<b>AG 7</b>	63.5	53.8	14	NPT 1/4"	ANSI B1.20.3	PLT7.0606.022	170	100	PLT7.0606.023	84	200
	63	53.8	14	NPT 3/8"	ANSI B1.20.3	PLT7.0610.022	176	100	PLT7.0610.023	91	200
<b>AG 5</b>	63.5	53.8	12	BSP 1/4"	DIN 3852-2-A	PLT7.0606.712	173	100	PLT7.0606.713	84	200
	61.5	54.3	12	BSP 3/8"	DIN 3852-2-A	PLT7.0610.712	176	100	PLT7.0610.713	90	200



**PLASTIC CAPS**

NOMINAL SIZE			FEMALE DUST PLUG						MALE DUST CAP					COLOR	MATERIAL
DNP	BG	ISO	COD. F	Dimensions			Weight	COD. M	Dimensions			Weight	●	PVC	
				D	L	D1	(g)		D	L	D1	(g)			
06	1	6.3	SPLT.06002	32.5	200	20	16	SPLT.06003	26	200	20	13			



**SPARE PARTS**

NOMINAL SIZE			MALE GASKET	
DNP	BG	ISO	OR (NBR*)	BK (PTFE)
04	0	5	PLT.704.120	PLT.704.130
06	1	6.3	PLT.006.120	PLT.706.130



- \* AL CODICE DELLA GUARNIZIONE IN NBR AGGIUNGERE 'E' PER EPDM O 'V' PER VITON
- \* TO THE NBR GASKET CODE ADD 'E' FOR EPDM OR 'V' FOR VITON
- \* ZU DER ARTIKELNR. DER NBR DICHTUNG GEBEN SIE 'E' FUER EPDM ODER 'V' FUER VITON AN
- \* AU CODE DU JOINT EN NBR JOINDRE 'E' POUR EPDM OU 'V' POUR VITON