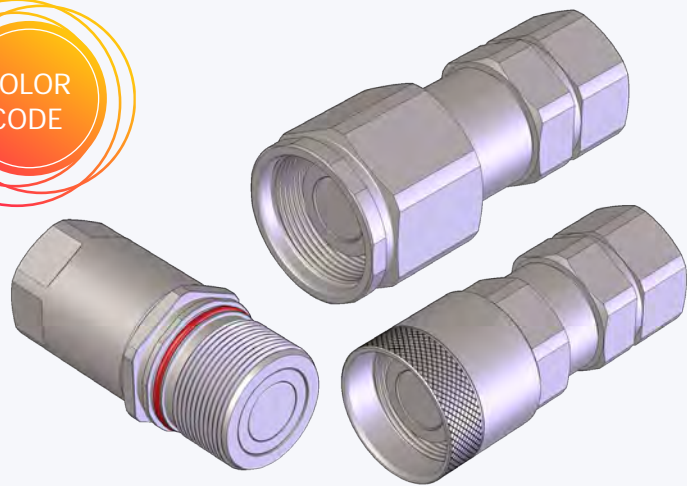


FLAT FACE/SCREW

VITE VALVOLA PIANA/ACCIAIO
 FLAT FACE SCREW COUPLINGS/STEEL
 FLACHDICHTENDE SCHRAUBKUPPLUNGEN/STAHL
 COUPLEURS FACE PLANE À VISSER/ACIER



Caratteristiche tecniche I

- Intercambiabilità: disegno esclusivo Dnp
- Occlusione: faccia piana
- Aggancio: a vite
- Materiale: acciaio
- Finitura: Zn-Fe (Cr III) e Zn-Ni
- Filettature: BSP - NPT - SAE - METRICHE
- Guarnizioni standard: NBR e PU
- Temperatura d'esercizio: -25 °C +100 °C
- Guarnizioni opzionali: FKM, EPDM o altro
- Pressioni di esercizio: 300-400 bar
- Connessione in pressione: consentita (lato maschio o lato femmina)

Technical data E

- Interchange: exclusive Dnp profile
- Occlusion: flat face
- Locking: screw
- Material: steel
- Finishing: Zn-Fe (Cr III) and Zn-Ni
- Threads: BSP - NPT - SAE - METRIC
- Standard seals: NBR and PU
- Working temperature: -25 °C +100 °C
- Optional seals: FKM, EPDM or more
- Working pressure: 300-400 bar
- Connection under pressure: allowed (both male or female side)

Nominal size	Max working pressure	Rated flow	Max flow rate	Min burst pressure			Fluid spillage			
				Male	Female	Coupled				
DNP	BG	ISO	mm	MPa	l/min	l/min	MPa	MPa	MPa	cc
06	1	6.3	6	40	12	24	190	190	190	0.008
13	2	10	8.6	35	23	46	140	170	140	0.010
20	3	12.5	10.7	35	45	90	140	160	140	0.012
22	4A	16	12.8	35	74	150	130	130	130	0.015
25	4	19	14.8	35	100	200	130	140	130	0.020
30	5	25	17.6	35	189	280	130	130	130	0.030
35	6	31.5	26	35	288	480	140	130	140	0.040
39	7	40	30	30	379	700	130	120	130	0.050
50	8	50	40.6	30	757	1000	150	120	140	0.100

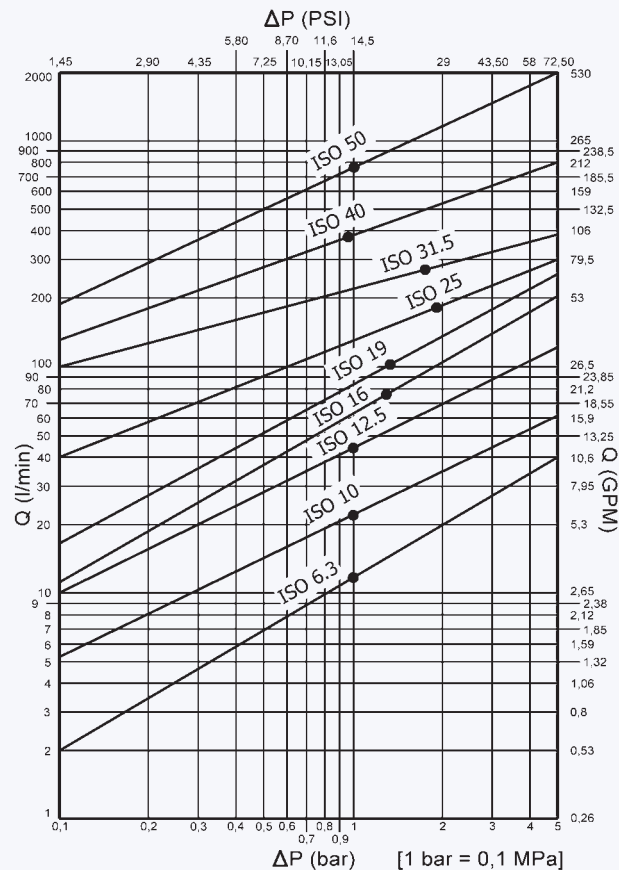
1 MPa = 145.04 psi • 1 l = 0.264 gal

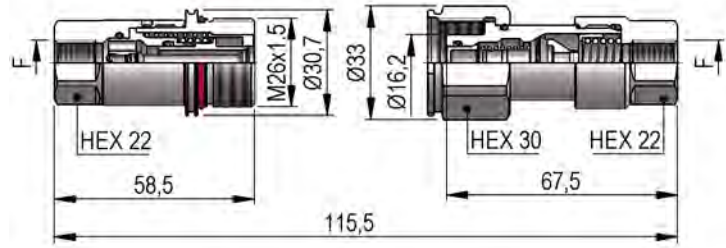
Technische Merkmale D

- Austauschbarkeit: laut exclusive Dnp Zeichnung
- Verschluss: flachdichtend
- Kupplung: Schraubweise
- Werkstoff: Stahl
- Ausführung: Zn-Fe (Cr III) und Zn-Ni
- Gewinde: BSP - NPT - SAE - METRISCHE
- Standard-Dichtungen: NBR und PU
- Betriebstemperatur: -25 °C +100 °C
- Dichtungen nach Wahl: FKM, EPDM, usw.
- Betriebsdruck: 300-400 bar
- Kuppeln unter Druck: erlaubt (Steckerseite oder Muffeseite)

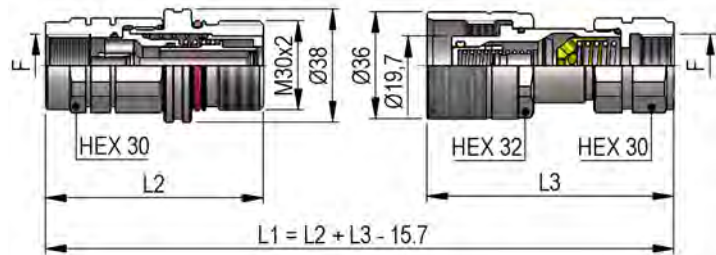
Caracteristiques techniques F

- Intercambiabilité: projet exclusif Dnp
- Obturation: clapet plat
- Accrochage: a vissé
- Matériel: acier
- Traitement: Zn-Fe (Cr III) et Zn-Ni
- Taraudage: BSP - NPT - SAE - METRIQUES
- Joints standard: NBR et PU
- Température de service: -25 °C +100 °C
- Joints facultatifs: FKM, EPDM, ect.
- Pression de service: 300-400 bar
- Connexion sous pression: possible (côté male ou femelle)

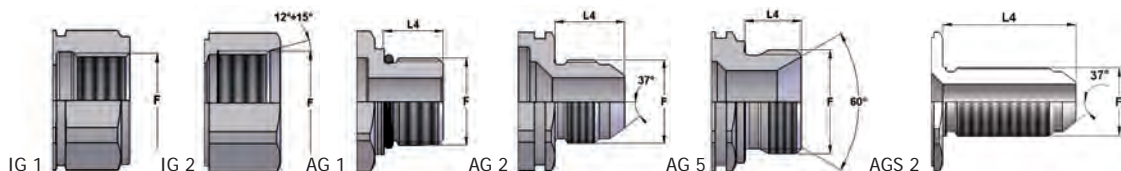


PVT4 DN06 - BG 1 - ISO 6.3


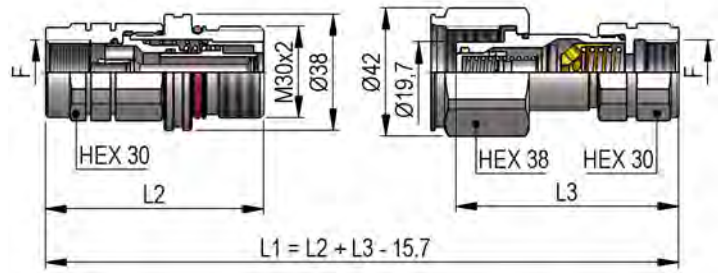
THREADS	F	STANDARD	FEMMINA - FEMALE - MUFFE - FEMELLE			MASCHIO - MALE - STECKER - MALE		
			COD. F	Weight (g)	Packaging (pcs.)	COD. M	Weight (g)	Packaging (pcs.)
IG 1	BSP 1/4"	DIN 3852-2-X	PVT4.0606.112	166	55	PVT4.0606.113	198	60
	NPT 1/4"	ANSI B1.20.3	PVT4.0606.012	167	55	PVT4.0606.013	199	60
IG 2	9/16"-18 UNF 2B	SAE J 1926-1	PVT4.0615.032	163	55	PVT4.0615.033	196	60

PVT4 DN13 - BG 2 - ISO 10 (T)


THREADS	L2	L3	L4	F	STANDARD	FEMMINA - FEMALE - MUFFE - FEMELLE			MASCHIO - MALE - STECKER - MALE		
						COD. F	Weight (g)	Packaging (pcs.)	COD. M	Weight (g)	Packaging (pcs.)
IG 1	73.5	75		BSP 3/8"	DIN 3852-2-X	PVT4.1310.112	315	45	PVT4.1310.113	291	40
	73.5	78		NPT 3/8"	ANSI B1.20.3	PVT4.1310.012	317	45	PVT4.1310.013	317	40
	73.5	75		BSP 1/2"	DIN 3852-2-X	PVT4.1313.112	300	45	PVT4.1313.113	287	40
	73.5	78		NPT 1/2"	ANSI B1.20.3	PVT4.1313.012	303	45	PVT4.1313.013	301	40
	73.5	75		M14x1.5	ISO 6149-1	PVT4.1314.102	301	45	PVT4.1314.103	299	40
	73.5	75		M16x1.5	ISO 6149-1	PVT4.1316.102	318	45	PVT4.1316.103	294	40
	73.5	75		M18x1.5	ISO 6149-1	PVT4.1318.102	311	45	PVT4.1318.103	287	40
	73.5	75		M20x1.5	ISO 6149-1	PVT4.1320.102	315	45	PVT4.1320.103	291	40
IG 2	72	75		9/16"-18 UNF 2B	SAE J 1926-1	PVT4.1315.032	315	45	PVT4.1315.033	298	40
	73.5	75		3/4"-16 UNF 2B	SAE J 1926-1	PVT4.1319.032	307	45	PVT4.1319.033	293	40
	74.5	79		7/8"-14 UNF 2B	SAE J 1926-1	PVT4.1323.032	293	45	PVT4.1323.033	292	40
	74.5	78		M22x1.5	SAE J 2244/1	PVT4.1322.102	299	45	PVT4.1322.103	295	40
AG 1	73.5	75	13	M14x1.5	ISO 6149-2	PVT4.1314.222	287	45	PVT4.1314.223	267	40
	75	78	16	M20x1.5	ISO 6149-2	PVT4.1320.222	297	45	PVT4.1320.223	277	40
AG 2	77.1	76.5	14.1	9/16"-18 UNF 2A	SAE J 514	PVT4.1315.302	289	45	PVT4.1315.303	259	40
	79.7	78.7	16.7	3/4"-16 UNF 2A	SAE J 514	PVT4.1319.302	297	45	PVT4.1319.303	267	40
AGS 2	100.6	99.6	37.6	3/4"-16 UNF 2A	SAE J 514	PVT4.1319.502	321	45	PVT4.1319.503	295	40
	104.1	103.1	41.1	7/8"-14 UNF 2A	SAE J 514	PVT4.1323.502	330	45	PVT4.1323.503	310	40
AG 5	74	76.6	12	BSP 3/8"	DIN 3852-2-B	PVT4.1310.212	299	45	PVT4.1310.213	269	40
	75	79	13	BSP 1/2"	DIN 3852-2-B	PVT4.1313.212	309	45	PVT4.1313.213	277	40
	75	75	13	BSP 1/2"	BS B5200	PVT4.1313.702	289	45	PVT4.1313.703	269	40
	73	73	11	M16x1.5	DIN 3863-U	PVT4.1316.702	289	45	PVT4.1316.703	261	40
	78	78	16	M20x1.5	DIN 3863-U	PVT4.1320.702	293	45	PVT4.1320.703	273	40
	76	76	14	M22x1.5	DIN 3863-U	PVT4.1322.702	291	45	PVT4.1322.703	271	40

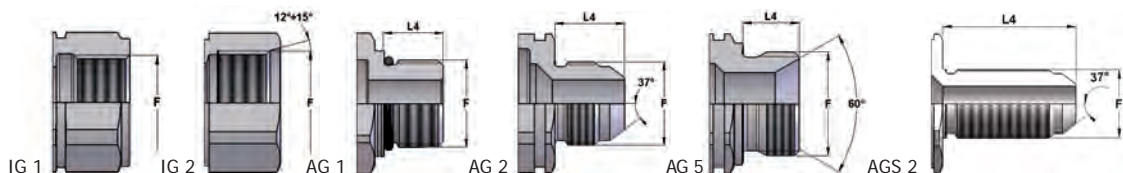
THREADS


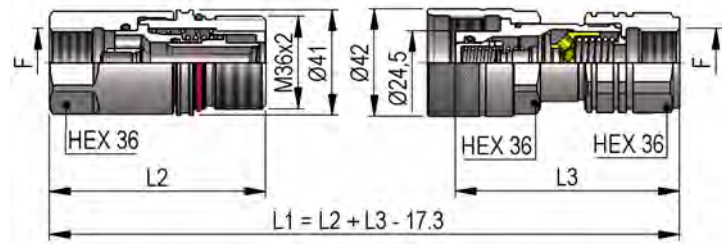
PVT4 DN13 - BG 2 - ISO 10 (E)



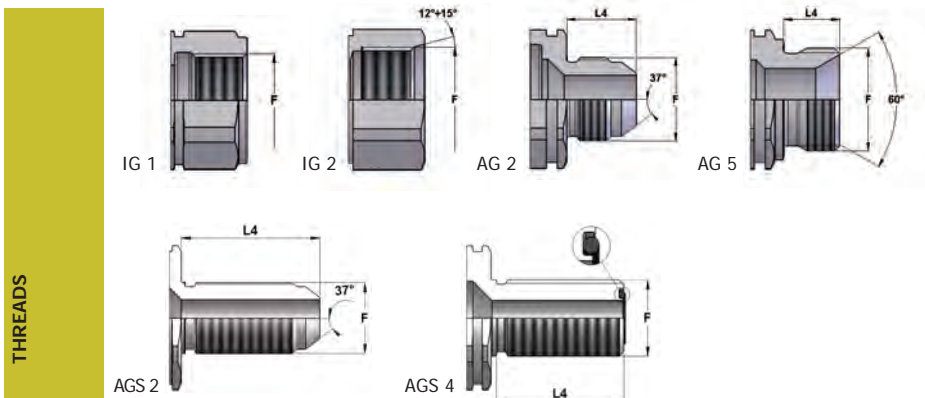
THREADS	L2	L3	L4	F	STANDARD	FEMMINA - FEMALE - MUFFE - FEMELLE			MASCHIO - MALE - STECKER - MALE		
						COD. F	Weight (g)	Packaging (pcs.)	COD. M	Weight (g)	Packaging (pcs.)
IG 1	73.5	75		BSP 3/8"	DIN 3852-2-X	PVT4.1310.112	315	45	PVT4.1310.113 E	340	33
	73.5	78		NPT 3/8"	ANSI B1.20.3	PVT4.1310.012	317	45	PVT4.1310.013 E	366	33
	73.5	75		BSP 1/2"	DIN 3852-2-X	PVT4.1313.112	300	45	PVT4.1313.113 E	336	33
	73.5	78		NPT 1/2"	ANSI B1.20.3	PVT4.1313.012	303	45	PVT4.1313.013 E	350	33
	73.5	75		M14x1.5	ISO 6149-1	PVT4.1314.102	301	45	PVT4.1314.103 E	348	33
	73.5	75		M16x1.5	ISO 6149-1	PVT4.1316.102	318	45	PVT4.1316.103 E	343	33
	73.5	75		M18x1.5	ISO 6149-1	PVT4.1318.102	311	45	PVT4.1318.103 E	336	33
	73.5	75		M20x1.5	ISO 6149-1	PVT4.1320.102	315	45	PVT4.1320.103 E	340	33
IG 2	72	75		9/16"-18 UNF 2B	SAE J 1926-1	PVT4.1315.032	315	45	PVT4.1315.033 E	347	33
	73.5	75		3/4"-16 UNF 2B	SAE J 1926-1	PVT4.1319.032	307	45	PVT4.1319.033 E	342	33
	74.5	79		7/8"-14 UNF 2B	SAE J 1926-1	PVT4.1323.032	293	45	PVT4.1323.033 E	341	33
	74.5	75		M22x1.5	SAE J 2244/1	PVT4.1322.102	299	45	PVT4.1322.103 E	344	33
AG 1	73.5	75	13	M14x1.5	ISO 6149-2	PVT4.1314.222	287	45	PVT4.1314.223 E	316	33
	75	78	16	M20x1.5	ISO 6149-2	PVT4.1320.222	297	45	PVT4.1320.223 E	326	33
AG 2	77.1	76.5	14.1	9/16"-18 UNF 2A	SAE J 514	PVT4.1315.302	289	45	PVT4.1315.303 E	308	33
	79.7	78.7	16.7	3/4"-16 UNF 2A	SAE J 514	PVT4.1319.302	297	45	PVT4.1319.303 E	316	33
AGS 2	100.6	99.6	37.6	3/4"-16 UNF 2A	SAE J 514	PVT4.1319.502	321	45	PVT4.1319.503 E	344	33
	104.1	103.1	41.1	7/8"-14 UNF 2A	SAE J 514	PVT4.1323.502	330	45	PVT4.1323.503 E	359	33
AG 5	74	76.6	12	BSP 3/8"	DIN 3852-2-B	PVT4.1310.212	299	45	PVT4.1310.213 E	318	33
	75	79	13	BSP 1/2"	DIN 3852-2-B	PVT4.1313.212	309	45	PVT4.1313.213 E	326	33
	75	75	13	BSP 1/2"	BS B5200	PVT4.1313.702	289	45	PVT4.1313.703 E	318	33
	73	73	11	M16x1.5	DIN 3863-U	PVT4.1316.702	289	45	PVT4.1316.703 E	310	33
	78	78	16	M20x1.5	DIN 3863-U	PVT4.1320.702	293	45	PVT4.1320.703 E	322	33
	76	76	14	M22x1.5	DIN 3863-U	PVT4.1322.702	291	45	PVT4.1322.703 E	320	33

THREADS

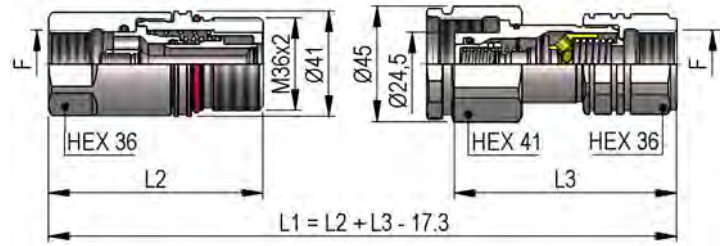


PVT4 DN20 - BG 3 - ISO 12.5 (T)


THREADS	L2	L3	L4	F	STANDARD	FEMMINA - FEMALE - MUFFE - FEMELLE			MASCHIO - MALE - STECKER - MALE		
						COD. F	Weight (g)	Packaging (pcs.)	COD. M	Weight (g)	Packaging (pcs.)
IG 1	83.5	84.5		BSP 1/2"	DIN 3852-2-X	PVT4.2013.112	537	30	PVT4.2013.113	493	30
	83.5	86		NPT 1/2"	ANSI B1.20.3	PVT4.2013.012	540	30	PVT4.2013.013	506	30
	83.5	86.5		BSP 3/4"	DIN 3852-2-X	PVT4.2019.112	506	30	PVT4.2019.113	473	30
	83.5	86		NPT 3/4"	ANSI B1.20.3	PVT4.2019.012	514	30	PVT4.2019.013	478	30
	82.5	82.5		M18x1.5	ISO 6149-1	PVT4.2018.102	542	30	PVT4.2018.103	492	30
	82.5	82		M22x1.5	ISO 6149-1	PVT4.2022.102	525	30	PVT4.2022.103	475	30
	83.5	86		M26x1.5	ISO 6149-1	PVT4.2026.102	504	30	PVT4.2026.103	472	30
	83.5	86		M30x1.5	ISO 6149-1	PVT4.2030.102	477	30	PVT4.2030.103	445	30
IG 2	79.5	82		3/4"-16 UNF 2B	SAE J 1926-1	PVT4.2019.032	515	30	PVT4.2019.033	485	30
	81.5	86		7/8"-14 UNF 2B	SAE J 1926-1	PVT4.2023.032	520	30	PVT4.2023.033	497	30
	83.5	86		1"1/16-12 UN 2B	SAE J 1926-1	PVT4.2027.032	500	30	PVT4.2027.033	467	30
AG 2	87.2	87.7	16.7	3/4"-16 UNF 2A	SAE J 514	PVT4.2019.302	463	30	PVT4.2019.303	439	30
	89.8	90.3	19.3	7/8"-14 UNF 2A	SAE J 514	PVT4.2023.302	473	30	PVT4.2023.303	448	30
	92.5	93	22	1"1/16-12 UN 2A	SAE J 514	PVT4.2027.302	496	30	PVT4.2027.303	463	30
AGS 2	108.1	108.6	37.6	3/4"-16 UNF 2A	SAE J 514	PVT4.2019.502	502	30	PVT4.2019.503	478	30
	111.6	112.1	41.1	7/8"-14 UNF 2A	SAE J 514	PVT4.2023.502	518	30	PVT4.2023.503	482	30
	115.9	116.4	45.4	1"1/16-12 UN 2A	SAE J 514	PVT4.2027.502	552	30	PVT4.2027.503	515	30
AG 5	89.5	90	16	BSP 3/4"	DIN 3852-2-A	PVT4.2019.712	500	30	PVT4.2019.713	464	30
AGS 4	109	109.5	38.5	1"-14 UNS 2A	SAE J 1453	PVT4.2025.532	547	30	PVT4.2025.533	514	30
	110.5	111	40	1"3/16-12 UN 2A	SAE J 1453	PVT4.2030.532	589	30	PVT4.2030.533	558	30

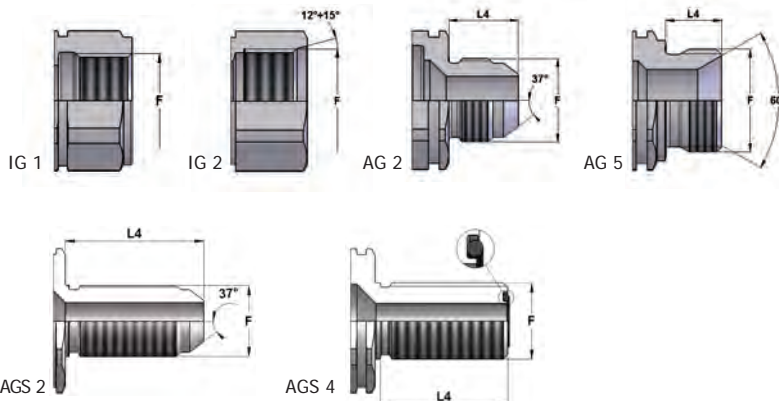


PVT4 DN20 - BG 3 - ISO 12.5 (E)

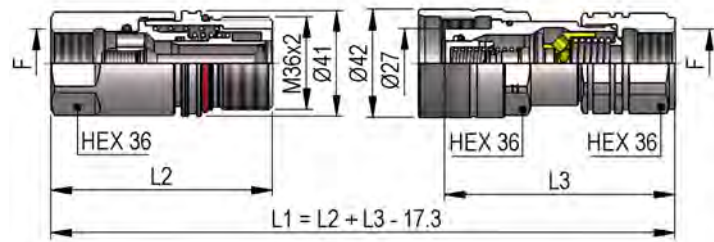


THREADS	L2	L3	L4	F	STANDARD	FEMMINA - FEMALE - MUFFE - FEMELLE			MASCHIO - MALE - STECKER - MALE		
						COD. F	Weight (g)	Packaging (pcs.)	COD. M	Weight (g)	Packaging (pcs.)
IG 1	83.5	84.5		BSP 1/2"	DIN 3852-2-X	PVT4.2013.112	537	30	PVT4.2013.113 E	503	30
	83.5	86		NPT 1/2"	ANSI B1.20.3	PVT4.2013.012	540	30	PVT4.2013.013 E	516	30
	83.5	86.5		BSP 3/4"	DIN 3852-2-X	PVT4.2019.112	506	30	PVT4.2019.113 E	483	30
	83.5	86		NPT 3/4"	ANSI B1.20.3	PVT4.2019.012	514	30	PVT4.2019.013 E	489	30
	82.5	82.5		M18x1.5	ISO 6149-1	PVT4.2018.102	542	30	PVT4.2018.103 E	502	30
	82.5	82		M22x1.5	ISO 6149-1	PVT4.2022.102	525	30	PVT4.2022.103 E	485	30
	83.5	86		M26x1.5	ISO 6149-1	PVT4.2026.102	504	30	PVT4.2026.103 E	482	30
	83.5	86		M30x1.5	ISO 6149-1	PVT4.2030.102	477	30	PVT4.2030.103 E	455	30
IG 2	79.5	82		3/4"-16 UNF 2B	SAE J 1926-1	PVT4.2019.032	515	30	PVT4.2019.033 E	495	30
	81.5	86		7/8"-14 UNF 2B	SAE J 1926-1	PVT4.2023.032	520	30	PVT4.2023.033 E	507	30
	83.5	86		1"1/16-12 UN 2B	SAE J 1926-1	PVT4.2027.032	500	30	PVT4.2027.033 E	477	30
AG 2	87.2	87.7	16.7	3/4"-16 UNF 2A	SAE J 514	PVT4.2019.302	463	30	PVT4.2019.303 E	449	30
	89.8	90.3	19.3	7/8"-14 UNF 2A	SAE J 514	PVT4.2023.302	473	30	PVT4.2023.303 E	458	30
	92.5	93	22	1"1/16-12 UN 2A	SAE J 514	PVT4.2027.302	496	30	PVT4.2027.303 E	474	30
AGS 2	108.1	108.6	37.6	3/4"-16 UNF 2A	SAE J 514	PVT4.2019.502	502	30	PVT4.2019.503 E	488	30
	111.6	112.1	41.1	7/8"-14 UNF 2A	SAE J 514	PVT4.2023.502	518	30	PVT4.2023.503 E	492	30
	115.9	116.4	45.4	1"1/16-12 UN 2A	SAE J 514	PVT4.2027.502	552	30	PVT4.2027.503 E	525	30
AG 5	89.5	90	16	BSP 3/4"	DIN 3852-2-A	PVT4.2019.712	500	30	PVT4.2019.713 E	474	30
AGS 4	109	109.5	38.5	1"-14 UNS 2A	SAE J 1453	PVT4.2025.532	547	30	PVT4.2025.533 E	524	30
	110.5	111	40	1"3/16-12 UN 2A	SAE J 1453	PVT4.2030.532	589	30	PVT4.2030.533 E	568	30

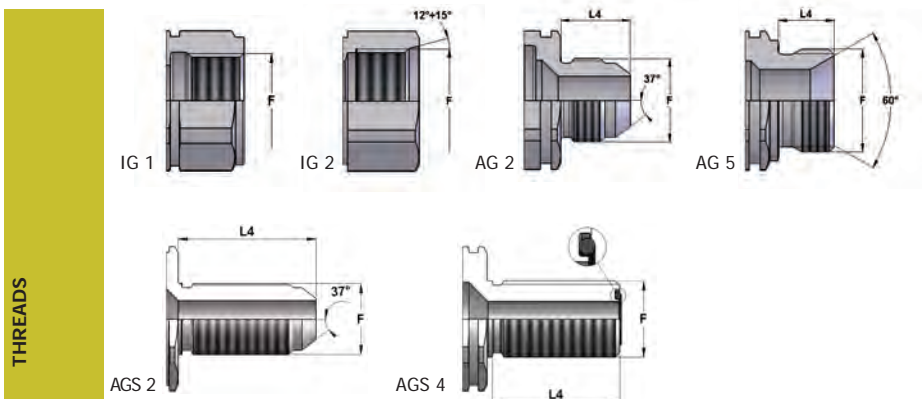
THREADS



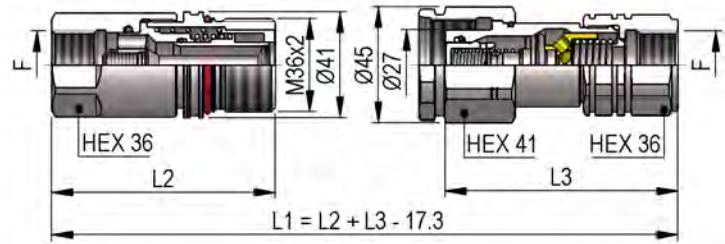
PVT4 DN22 - BG 4A - ISO 16 (T)



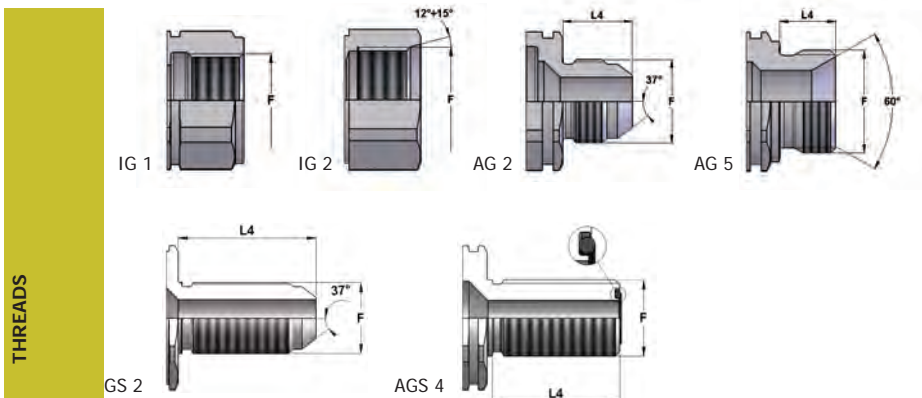
THREADS	L2	L3	L4	F	STANDARD	FEMMINA - FEMALE - MUFFE - FEMELLE			MASCHIO - MALE - STECKER - MALE		
						COD. F	Weight (g)	Packaging (pcs.)	COD. M	Weight (g)	Packaging (pcs.)
IG 1	86	87.5		BSP 1/2"	DIN 3852-2-X	PVT4.2213.112	528	30	PVT4.2213.113	502	30
	86	89		NPT 1/2"	ANSI B1.20.3	PVT4.2213.012	531	30	PVT4.2213.013	515	30
	86	89.5		BSP 3/4"	DIN 3852-2-X	PVT4.2219.112	497	30	PVT4.2219.113	482	30
	86	89		NPT 3/4"	ANSI B1.20.3	PVT4.2219.012	505	30	PVT4.2219.013	488	30
	85	85.5		M18x1.5	ISO 6149-1	PVT4.2218.102	533	30	PVT4.2218.103	501	30
	85	85		M22x1.5	ISO 6149-1	PVT4.2222.102	516	30	PVT4.2222.103	484	30
	86	89		M26x1.5	ISO 6149-1	PVT4.2226.102	495	30	PVT4.2226.103	481	30
	86	89		M30x1.5	ISO 6149-1	PVT4.2230.102	469	30	PVT4.2230.103	455	30
IG 2	82	85		3/4"-16 UNF 2B	SAE J 1926-1	PVT4.2219.032	506	30	PVT4.2219.033	494	30
	84	89		7/8"-14 UNF 2B	SAE J 1926-1	PVT4.2223.032	511	30	PVT4.2223.033	506	30
	86	89		1"-16-12 UN 2B	SAE J 1926-1	PVT4.2227.032	491	30	PVT4.2227.033	477	30
AG 2	89.7	90.7	16.7	3/4"-16 UNF 2A	SAE J 514	PVT4.2219.302	454	30	PVT4.2219.303	449	30
	92.3	93.3	19.3	7/8"-14 UNF 2A	SAE J 514	PVT4.2223.302	464	30	PVT4.2223.303	457	30
	95	96	22	1"-16-12 UN 2A	SAE J 514	PVT4.2227.302	487	30	PVT4.2227.303	473	30
AGS 2	110.6	111.6	37.6	3/4"-16 UNF 2A	SAE J 514	PVT4.2219.502	493	30	PVT4.2219.503	488	30
	114.1	115.1	41.1	7/8"-14 UNF 2A	SAE J 514	PVT4.2223.502	509	30	PVT4.2223.503	492	30
	118.4	119.4	45.4	1"-16-12 UN 2A	SAE J 514	PVT4.2227.502	543	30	PVT4.2227.503	525	30
AG 5	92	93	16	BSP 3/4"	DIN 3852-2-A	PVT4.2219.712	492	30	PVT4.2219.713	474	30
AGS 4	111.5	112.5	38.5	1"-14 UNS 2A	SAE J 1453	PVT4.2225.532	538	30	PVT4.2225.533	524	30
	113	114	40	1-3/16-12 UN 2A	SAE J 1453	PVT4.2230.532	580	30	PVT4.2230.533	567	30



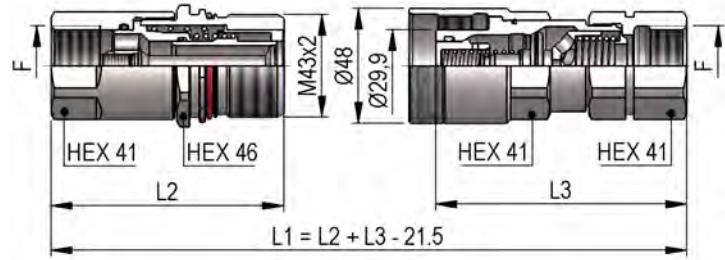
PVT4 DN22 - BG 4A - ISO 16 (E)



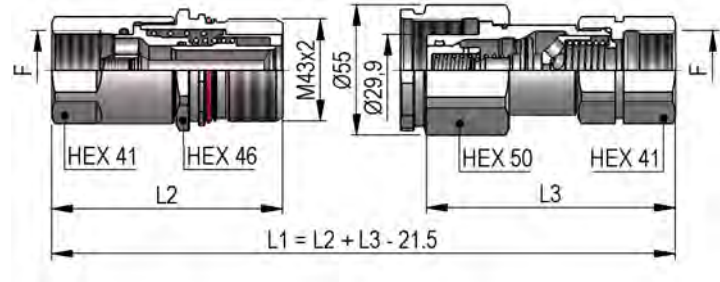
THREADS	L2	L3	L4	F	STANDARD	FEMMINA - FEMALE - MUFFE - FEMELLE			MASCHIO - MALE - STECKER - MALE		
						COD. F	Weight (g)	Packaging (pcs.)	COD. M	Weight (g)	Packaging (pcs.)
IG 1	86	87.5		BSP 1/2"	DIN 3852-2-X	PVT4.2213.112	528	30	PVT4.2213.113 E	520	30
	86	89		NPT 1/2"	ANSI B1.20.3	PVT4.2213.012	531	30	PVT4.2213.013 E	533	30
	86	89.5		BSP 3/4"	DIN 3852-2-X	PVT4.2219.112	497	30	PVT4.2219.113 E	500	30
	86	89		NPT 3/4"	ANSI B1.20.3	PVT4.2219.012	505	30	PVT4.2219.013 E	506	30
	85	85.5		M18x1.5	ISO 6149-1	PVT4.2218.102	533	30	PVT4.2218.103 E	519	30
	85	85		M22x1.5	ISO 6149-1	PVT4.2222.102	516	30	PVT4.2222.103 E	502	30
	86	89		M26x1.5	ISO 6149-1	PVT4.2226.102	495	30	PVT4.2226.103 E	499	30
	86	89		M30x1.5	ISO 6149-1	PVT4.2230.102	469	30	PVT4.2230.103 E	473	30
IG 2	82	85		3/4"-16 UNF 2B	SAE J 1926-1	PVT4.2219.032	506	30	PVT4.2219.033 E	512	30
	84	89		7/8"-14 UNF 2B	SAE J 1926-1	PVT4.2223.032	511	30	PVT4.2223.033 E	525	30
	86	89		1"1/16-12 UN 2B	SAE J 1926-1	PVT4.2227.032	491	30	PVT4.2227.033 E	495	30
AG 2	89.7	90.7	16.7	3/4"-16 UNF 2A	SAE J 514	PVT4.2219.302	454	30	PVT4.2219.303 E	467	30
	92.3	93.3	19.3	7/8"-14 UNF 2A	SAE J 514	PVT4.2223.302	464	30	PVT4.2223.303 E	476	30
	95	96	22	1"1/16-12 UN 2A	SAE J 514	PVT4.2227.302	487	30	PVT4.2227.303 E	491	30
AGS 2	110.6	111.6	37.6	3/4"-16 UNF 2A	SAE J 514	PVT4.2219.502	493	30	PVT4.2219.503 E	506	30
	114.1	115.1	41.1	7/8"-14 UNF 2A	SAE J 514	PVT4.2223.502	509	30	PVT4.2223.503 E	510	30
	118.4	119.4	45.4	1"1/16-12 UN 2A	SAE J 514	PVT4.2227.502	543	30	PVT4.2227.503 E	543	30
AG 5	92	93	16	BSP 3/4"	DIN 3852-2-A	PVT4.2219.712	492	30	PVT4.2219.713 E	492	30
AGS 4	111.5	112.5	38.5	1"-14 UNS 2A	SAE J 1453	PVT4.2225.532	538	30	PVT4.2225.533 E	542	30
	113	114	40	1"3/16-12 UN 2A	SAE J 1453	PVT4.2230.532	580	30	PVT4.2230.533 E	586	30



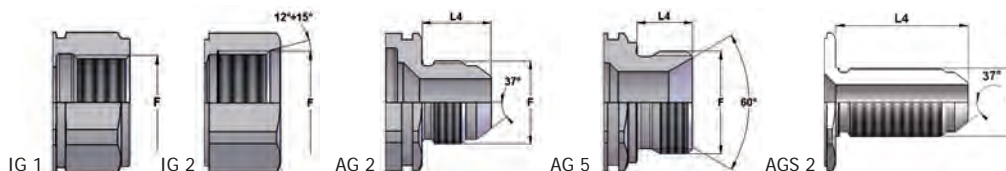
THREADS

PVT4 DN25 - BG 4 - ISO 19 (T)


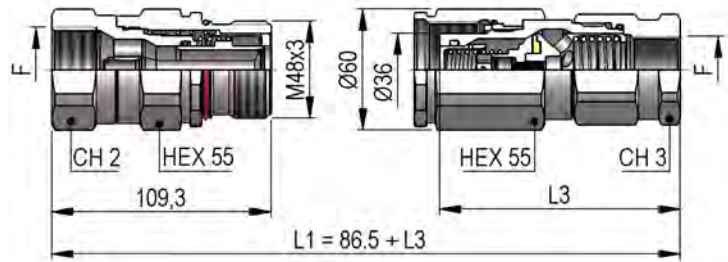
THREADS	L2	L3	L4	F	STANDARD	FEMMINA - FEMALE - MUFFE - FEMELLE			MASCIO - MALE - STECKER - MALE		
						COD. F	Weight (g)	Packaging (pcs.)	COD. M	Weight (g)	Packaging (pcs.)
IG 1	94.5	105		BSP 3/4"	DIN 3852-2-X	PVT4.2519.112	740	23	PVT4.2519.113	751	24
	94.5	105		NPT 3/4"	ANSI B1.20.3	PVT4.2519.012	745	23	PVT4.2519.013	758	24
	97.5	105		BSP 1"	DIN 3852-2-X	PVT4.2525.112	711	23	PVT4.2525.113	688	24
	97.5	105		NPT 1"	ANSI B1.20.3	PVT4.2525.012	717	23	PVT4.2525.013	700	24
	97.5	105		M30x1.5	ISO 6149-1	PVT4.2530.102	741	23	PVT4.2530.103	724	24
IG 2	95	105		1"1/16-12 UN 2B	SAE J 1926-1	PVT4.2527.032	748	23	PVT4.2527.033	745	24
	95	105		1"5/16-12 UN 2B	SAE J 1926-1	PVT4.2533.032	689	23	PVT4.2533.033	687	24
AG 2	97.1	109.1	23.1	1"5/16-12 UN 2A	SAE J 514	PVT4.2533.302	754	23	PVT4.2533.303	686	24
AGS 2	119.4	131.4	45.4	1"5/16-12 UN 2A	SAE J 514	PVT4.2533.502	812	23	PVT4.2533.503	783	24
AG 5	95	107	18	BSP 1"	DIN 3852-2-B	PVT4.2525.212	750	23	PVT4.2525.213	694	24
	95	103	17	BSP 1"	BS B5200	PVT4.2525.702	673	23	PVT4.2525.703	671	24
	95	105	16	BSP 3/4"	DIN 3852-2-A	PVT4.2519.712	729	23	PVT4.2519.713	670	24
	97	107	18	BSP 1"	DIN 3852-2-A	PVT4.2525.712	697	23	PVT4.2525.713	696	24

PVT4 DN25 - BG 4 - ISO 19 (E)


THREADS	L2	L3	L4	F	STANDARD	FEMMINA - FEMALE - MUFFE - FEMELLE			MASCIO - MALE - STECKER - MALE		
						COD. F	Weight (g)	Packaging (pcs.)	COD. M	Weight (g)	Packaging (pcs.)
IG 1	94.5	105		BSP 3/4"	DIN 3852-2-X	PVT4.2519.112	740	23	PVT4.2519.113 E	859	20
	94.5	105		NPT 3/4"	ANSI B1.20.3	PVT4.2519.012	745	23	PVT4.2519.013 E	866	20
	97.5	105		BSP 1"	DIN 3852-2-X	PVT4.2525.112	711	23	PVT4.2525.113 E	782	20
	97.5	105		NPT 1"	ANSI B1.20.3	PVT4.2525.012	717	23	PVT4.2525.013 E	808	20
	97.5	105		M30x1.5	ISO 6149-1	PVT4.2530.102	741	23	PVT4.2530.103 E	832	20
IG 2	95	105		1"1/16-12 UN 2B	SAE J 1926-1	PVT4.2527.032	748	23	PVT4.2527.033 E	853	20
	95	105		1"5/16-12 UN 2B	SAE J 1926-1	PVT4.2533.032	689	23	PVT4.2533.033 E	794	20
AG 2	97.1	109.1	23.1	1"5/16-12 UN 2A	SAE J 514	PVT4.2533.302	754	23	PVT4.2533.303 E	780	20
AGS 2	119.4	131.4	45.4	1"5/16-12 UN 2A	SAE J 514	PVT4.2533.502	812	23	PVT4.2533.503 E	891	20
AG 5	95	107	18	BSP 1"	DIN 3852-2-B	PVT4.2525.212	750	23	PVT4.2525.213 E	802	20
	95	103	17	BSP 1"	BS B5200	PVT4.2525.702	673	23	PVT4.2525.703 E	779	20
	95	105	16	BSP 3/4"	DIN 3852-2-A	PVT4.2519.712	729	23	PVT4.2519.713 E	777	20
	97	107	18	BSP 1"	DIN 3852-2-A	PVT4.2525.712	697	23	PVT4.2525.713 E	803	20

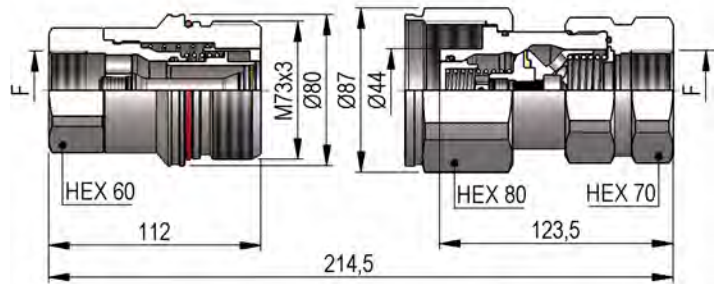
THREADS


PVT4 DN30 - BG 5 - ISO 25



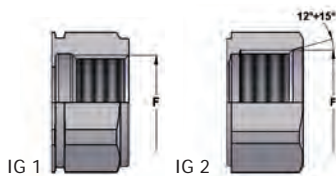
THREADS	CH2	CH3	L3	F	STANDARD	FEMMINA - FEMALE - MUFFE - FEMELLE			MASCHIO - MALE - STECKER - MALE		
						COD. F	Weight (g)	Packaging (pcs.)	COD. M	Weight (g)	Packaging (pcs.)
IG 1	50	50	120	BSP 1"	DIN 3852-2-X	PVT4.3025.112	1241	15	PVT4.3025.113	1362	12
	50	50	120	NPT 1"	ANSI B1.20.3	PVT4.3025.012	1256	15	PVT4.3025.013	1368	12
	55	55	120	BSP 1 1/4"	DIN 3852-2-X	PVT4.3031.112	1248	15	PVT4.3031.113	1432	12
	55	55	122	NPT 1 1/4"	ANSI B1.20.3	PVT4.3031.012	1265	15	PVT4.3031.013	1446	12
IG 2	50	50	120	1 5/16-12 UN 2B	SAE J 1926-1	PVT4.3033.032	1241	15	PVT4.3033.033	1351	12
	55	55	120	1 5/8-12 UN 2B	SAE J 1926-1	PVT4.3041.032	1246	15	PVT4.3041.033	1434	12

PVT4 DN35 - BG 6 - ISO 31.5

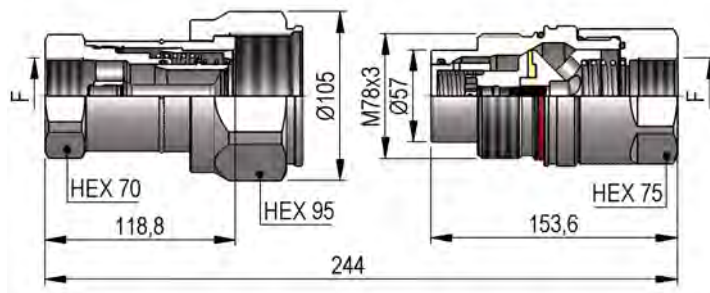


THREADS	F	STANDARD	FEMMINA - FEMALE - MUFFE - FEMELLE			MASCHIO - MALE - STECKER - MALE		
			COD. F	Weight (g)	Packaging (pcs.)	COD. M	Weight (g)	Packaging (pcs.)
IG 1	BSP 1 1/4"	DIN 3852-2-X	PVT4.3531.112	2305	8	PVT4.3531.113	2889	7
			PVT4.3531.012	2320	8	PVT4.3531.013	2906	7
IG 2	1 5/8-12 UN 2B	SAE J 1926-1	PVT4.3541.032	2305	8	PVT4.3541.033	2895	7

THREADS

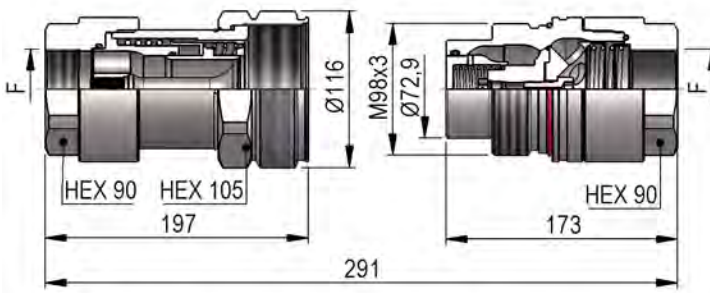


PVT4 DN39 - BG 7 - ISO 40

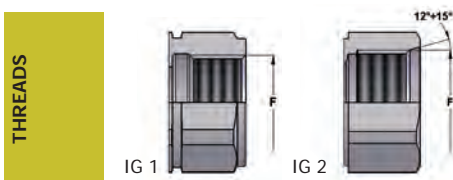


THREADS	F	STANDARD	FEMMINA - FEMALE - MUFFE - FEMELLE			MASCIO - MALE - STECKER - MALE		
			COD. F	Weight (g)	Packaging (pcs.)	COD. M	Weight (g)	Packaging (pcs.)
IG 1	BSP 1"½	DIN 3852-2-X	PVT4.3939.112	3840	3	PVT4.3939.113	3760	5
	NPT 1"½	ANSI B1.20.3	PVT4.3939.012	3855	3	PVT4.3939.013	3790	5
IG 2	1"5/8-12 UN 2B	SAE J 1926-1	PVT4.3941.032	3910	3	PVT4.3941.033	3830	5
	1"7/8-12 UN 2B	SAE J 1926-1	PVT4.3947.032	3830	3	PVT4.3947.033	3750	5

PVT4 DN50 - BG 8 - ISO 50

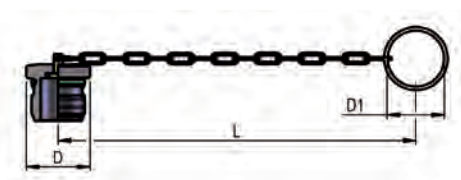
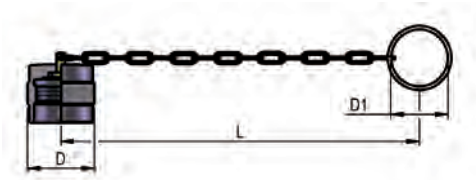


THREADS	F	STANDARD	FEMMINA - FEMALE - MUFFE - FEMELLE			MASCIO - MALE - STECKER - MALE		
			COD. F	Weight (g)	Packaging (pcs.)	COD. M	Weight (g)	Packaging (pcs.)
IG 1	BSP 2"	DIN 3852-2-X	PVT4.5051.112	6910	3	PVT4.5051.113	6400	4
	NPT 2"	ANSI B1.20.3	PVT4.5051.012	6920	3	PVT4.5051.013	6480	4
	API 2"	API 5B	PVT4.5051.062	7425	3	PVT4.5051.063	6904	4
IG 2	2"1/2-12 UN 2B	SAE J 1926-1	PVT4.5063.032	6810	3	PVT4.5063.033	6330	4



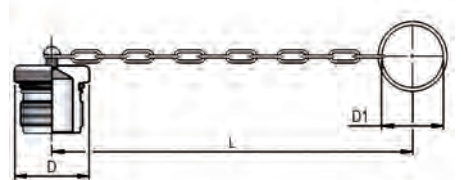
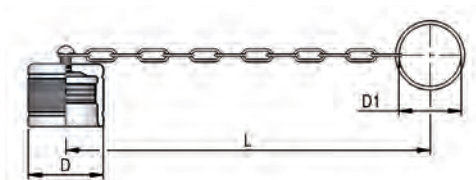
PLASTIC CAPS

NOMINAL SIZE			FEMALE DUST PLUG				MALE DUST CAP				COLOR	MATERIAL		
DNP	BG	ISO	COD. F	Dimensions			Weight (g)	COD. M	Dimensions			Weight (g)		
				D	L	D1			D	L	D1			
06	1	6.3	SPVT.06002	32	220	32	27	SPVT.06003	32	220	32	29	●	PVC
13	2	10	SPVT.13002	38	220	32	38	SPVT.13003	36	220	32	36	●	PVC
20	3	12.5	SPVT.20002	45	220	32	48	SPVT.20003	45	220	32	48	●	PVC
22	4A	16	SPVT.20002	45	220	32	48	SPVT.20003	45	220	32	48	●	PVC
25	4	19	SPVT.25002	53	290	47.5	72	SPVT.25003	48	290	47.5	74	●	PVC
30	5	25	SPVT.30002	60	438	47.5	94	SPVT.30003	60	438	47.5	91	●	PVC

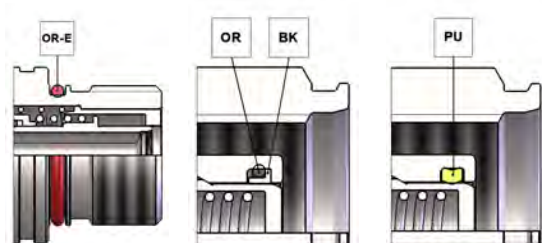


METAL CAPS

NOMINAL SIZE			FEMALE DUST PLUG				MALE DUST CAP				MATERIAL		
DNP	BG	ISO	COD. F	Dimensions			Weight (g)	COD. M	Dimensions			Weight (g)	
				D	L	D1			D	L	D1		
06	1	6.3	SPVT.06202	30	205	27	30	SPVT.06203	32	205	27	38	Aluminum
13	2	10	SPVT.13202	36	205	32	46	SPVT.13203	36	205	32	53	Aluminum
20	3	12.5	SPVV.13202	41.5	205	32	57	SPVV.13203	41.5	205	32	66	Aluminum
22	4A	16	SPVV.13202	41.5	205	32	57	SPVV.13203	41.5	205	32	66	Aluminum
25	4	19	SPVT.25202	49.5	275	47.5	84	SPVT.25203	48	275	47.5	115	Aluminum
30	5	25	SPVT.30202	54.5	275	47.5	91	SPVT.30203	58	275	47.5	113	Aluminum
35	6	31.5	SPVT.35202	79.5	275	47.5	179	SPVT.35203	87	275	47.5	353	Aluminum
39	7	40	SPVT.39202	90	275	47.5	269	SPVT.39203	90	275	47.5	380	Aluminum
50	8	50	SPVT.50202	110	275	47.5	521	SPVT.50203	110	275	47.5	541	Aluminum



SPARE PARTS



NOMINAL SIZE			FEMALE GASKET	MALE GASKET	MALE GASKET
DNP	BG	ISO	OR-E (SILICONE)	OR (NBR)	BK (PTFE) / PU (POLYURETHANE)
06	1	6.3	PLK.025.121 S	PLT.006.120	PLT.006.130 -
13	2	10	PLT.319.031 S	PLT.013.120	PLT.013.130 PLK.013.210
20	3	12.5	PVT.019.121 S	PLT.019.120	PLT.019.130 PVT.019.210
22	4A	16	PVT.019.121 S	PLT.022.120	PLT.022.130 PVT.022.210
25	4	19	PVT.025.121 S	PLT.025.120	PLT.025.130 PVT.025.210
30	5	25	PVT.030.121 S	PLT.031.120	PLT.031.130 PVT.030.210
35	6	31.5	PVT.035.121 S	PLS.025.120	PLT.035.130 -
39	7	40	PVT.039.121 S	PLT.039.120	PLT.039.130 -
50	8	50	PVT.050.121 S	PLK.050.120	PLK.050.130 -